

Name: _____		Date: _____		Event: _____	
City: _____		State: _____		Track: _____	
Track	<input type="checkbox"/> Indoor	<input type="checkbox"/> Tight	<input type="checkbox"/> Smooth	<input type="checkbox"/> Hard Packed	<input type="checkbox"/> Blue Groove
Conditions	<input type="checkbox"/> Outdoor	<input type="checkbox"/> Open	<input type="checkbox"/> Rough	<input type="checkbox"/> Loose/Loamy	<input type="checkbox"/> Dry
	<input type="checkbox"/> Wet	<input type="checkbox"/> Low Bite	<input type="checkbox"/> High Bite	<input type="checkbox"/> Med Bite	<input type="checkbox"/> Other _____
	<input type="checkbox"/> Dusty				

**Front Suspension**

Toe: \_\_\_\_\_

Ride Height: \_\_\_\_\_

Camber: \_\_\_\_\_

Caster: \_\_\_\_\_

Wheel Hex: \_\_\_\_\_

Sway Bar: \_\_\_\_\_

Piston/Oil: \_\_\_\_\_

Spring: \_\_\_\_\_

Limiters/Droop: \_\_\_\_\_

Overall Shock Length: \_\_\_\_\_

Steering Ackerman: \_\_\_\_\_

Bump Steer: \_\_\_\_\_

Camber Link: \_\_\_\_\_

Shock Location: \_\_\_\_\_

Receiver Battery Type: \_\_\_\_\_

**Differentials**

Front:  Standard  Smart

Spring Wire Dia: \_\_\_\_\_

Qty of Springs: \_\_\_\_\_

Ramp Plate: \_\_\_\_\_

Grease: \_\_\_\_\_

Diff Fluid: \_\_\_\_\_

Center:  Standard  Smart

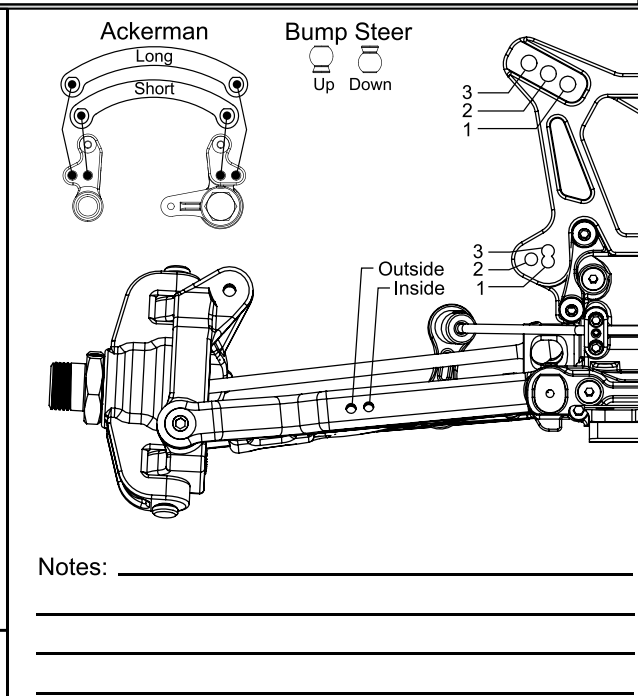
Spring Wire Dia: \_\_\_\_\_

Qty of Springs: \_\_\_\_\_

Ramp Plate: \_\_\_\_\_

Grease: \_\_\_\_\_

Diff Fluid: \_\_\_\_\_



**Rear Suspension**

Roll Center:  HRC  LRC

Toe: \_\_\_\_\_

Anti-Squat: \_\_\_\_\_

Ride Height: \_\_\_\_\_

Camber: \_\_\_\_\_

Rear Hub Spacing: \_\_\_\_\_

Wheel Hex: \_\_\_\_\_

Sway Bar: \_\_\_\_\_

Piston/Oil: \_\_\_\_\_

Spring: \_\_\_\_\_

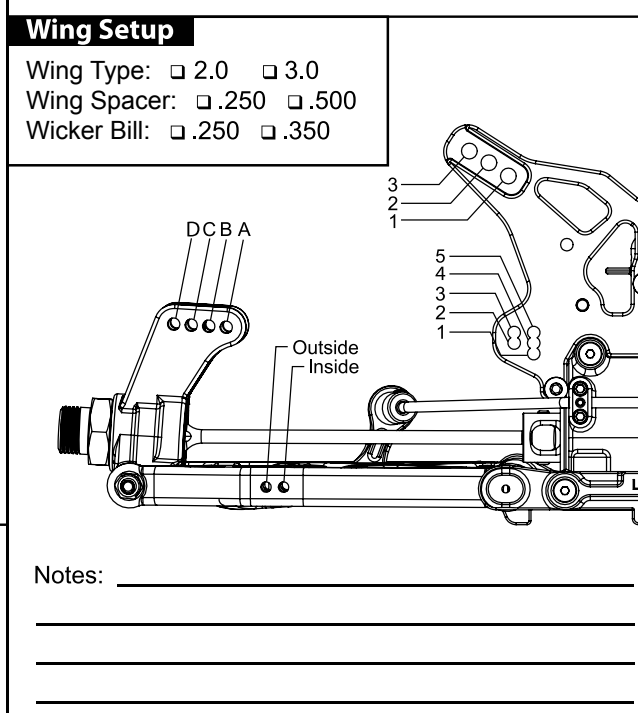
Limiters/Droop: \_\_\_\_\_

Overall Shock Length: \_\_\_\_\_

Camber Link: \_\_\_\_\_

Shock Location: \_\_\_\_\_

Rear Diff Fluid: \_\_\_\_\_



**Electronics**

Radio: \_\_\_\_\_ Servo Expo: \_\_\_\_\_

Servo: \_\_\_\_\_ Motor: \_\_\_\_\_

ESC: \_\_\_\_\_ Pinion: \_\_\_\_\_

Initial Brake: \_\_\_\_\_ Spur: \_\_\_\_\_

Drag Brake: \_\_\_\_\_ Battery: \_\_\_\_\_

Throttle Profile: \_\_\_\_\_

Timing Advance: \_\_\_\_\_

Throttle/Brake Expo: \_\_\_\_\_

Throttle/Brake EPA: \_\_\_\_\_

Tires	Type	Compound	Insert
Front:	_____	_____	_____
Rear:	_____	_____	_____
Notes:	_____		